

4MP PoE

Bullet IP Camera EMB Series

IPC-EMB8340PN-IR5R-PAT-V2

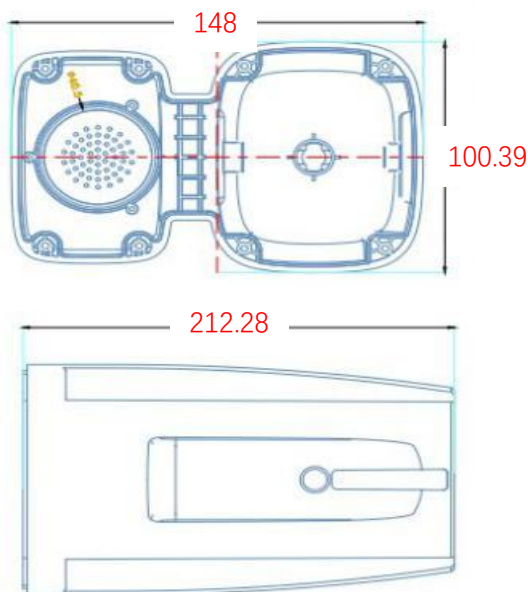


Introduction

IPC-EMB8340PN-IR5R-PAT-V2 is a waterproof bullet network camera, suitable for places with low or no light conditions and high definition image quality, such as roads, warehouses, underground parking lots, bars, pipelines, parks, etc.



Dimension



Main Features

- Double light alert
- H.265AI
- Vehicle shape detection
- IP66 Waterproof
- Human detection
- Onvif
- Automatic electronic shutter
- Automatic ICR
- Face Detection
- Mobile Monitoring
- Voice intercoms

Product Parameters

Model IPC-EMB8340PN-IR5R-PAT-V2

Camera

Sensor	1/3" low illumination CMOS sensor
illumination	Color:0.01Lux @(F1.2,AGC ON);0 Lux with IR B/W:0.001 Lux @(F1.2,AGC ON);0 Lux with IR
Shutter	1/50(1/60)s to 1/10,000s
Lens	lens 2.8mm/3.6mm//6mm(optional)
Lens Mount	M12
Day&Night	IR cut filter with auto switch

Image

Max resolution	2560*1440
Frame Rate	4M(2560*1440)@25fps 3M(2048*1536)@25fps,1080P(1920*1080)@25fps
Setting	Saturation, brightness and contrast are adjustable through IE browser or client software.

Compression

Video Encoding	H.265A(compatible H.265/H.264) HighProfile, JPEG snapshot
Bite Rate	0.1Mbps~8Mbps
Audio Encoding	G.711a

Network

Storage	Network storage
Alarm	Face detection,human detection,Vehicle shape detection Motion detection, video loss, video block, etc.
Protocol	TCP/IP, HTTP, DHCP, DNS, DDNS, PPPoE, SMTP, NTP, (HTTPS, SIP, 802.1x, IPv6 option
Features	anti-flicker, dual-stream, heartbeat, password protection

General

Temperature	-10°C-+60°C
Humidity	10%-90% RH
Power	DC12V±10% PoE
IR Range	12* White Light,"R5":50-60 meters
Consumption	MAX 14.5W
Material	Aluminum alloy+plastic
waterproof	IP66
Weight	Around 550g
Dimension	212.28mm*148mm*100.39mm

Interface

Ethernet	1*10/100Mbps Ethernet port, RJ45 port
Audio I/O	1/1 (Built-in mic/speaker)