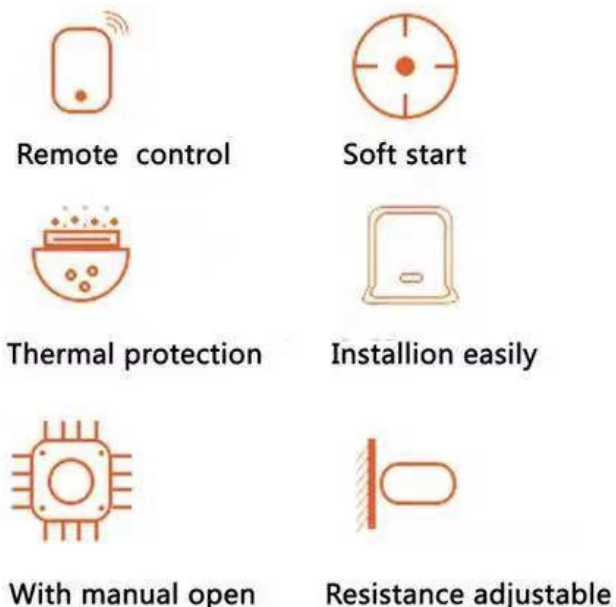


DFT AC SLIDING MOTOR 2 Speed Auto Learning Control Board

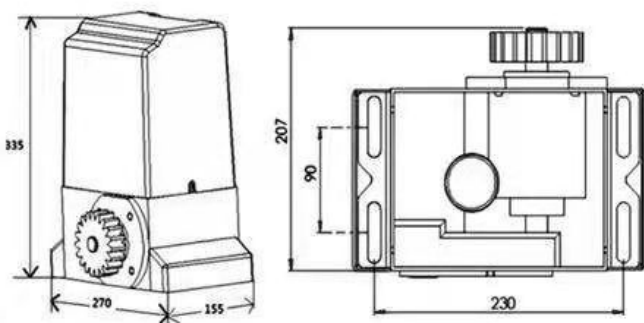
**ANTI
JAMMED**



DFT AC Sliding Motor



PRODUCT SIZE



Packaging include

- 1, Motor * 1
- 2, Remote * 3
- 3, Clutch key * 2
- 4, Limit Switch * 1
- 5, Bracket * 2
- 6, Expansion screw * 4
- 7, Mounting plate * 1



COMMODITY PARAMETER

Model		DW550		DW1200
Power	370W	550W	750W	1200W
Power supply	230-250V			
Max gate weight	600kg	1000kg	1500kg	2000kg
Motor speed	1400r/min			
Gate speed	12m/min			
Remote distance	< 50m			
Ambient temperature	-45°C +65°C			
Protection class	IP44			
Limit switch	Spring /Magnetic (NC / NO)			
Noise	≤56dB			



PACKAGING SIZE





TiikTok