

SPECIFICATIONS

- Driving Method
Planetary Gear System
- Safety Clutch
Electronic Current Sensing
- Operating Cycle
10 Second Per 90 (Approx)
- Backup Battery
12V 7.2 AH
- Max. Weight Of Gate
250kg Per Wing
- Main Supply
AC110V/220V, 60 Hz/50Hz
- Max. Length Of Gate
3.25 Meter Per Wing
- Electronic Controller
Microcomputer Based
- Position Limit Device
Electronic Fuzzy Logic
- Remote Controller
4 Channel, 330Mhz UHF
- Gear Box
4 Steps Planetary Reducer
- Temperature
0 to + 80 C
- Torque Max
190Nm
- Operating Torque -
96 Nm
- Locking System
Built In Electromagnetic With Manual
Key Release

**M1 Control
Panel**

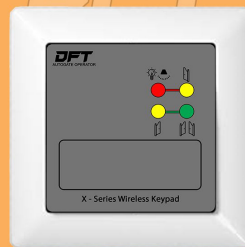
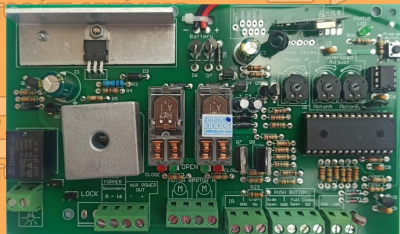
**4 Channel
Remote Control**

**Wireless
Keypad**

***Infrared Gate
Beam (Optional)**

***WiFi Controller
(Optional)**

***WiFi IP Camera
4MP (Optional)**



4 BUTTONS REMOTE CONTROL FUNCTION

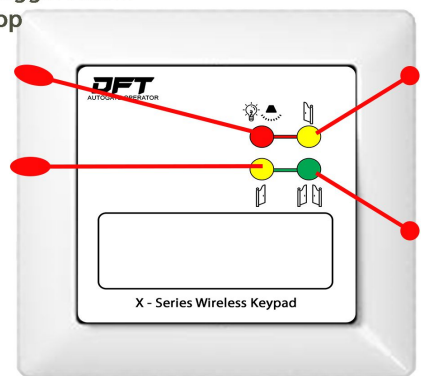
- On / Off The Pillar Light
- Press & Hold To Trigger Alarm
- Press Once To Stop The Alarm



MULTIFUNCTIONAL KEYPAD

- On / Off The Pillar Light
- Press & Hold To trigger Alarm
- Press Once To Stop The Alarm Siren

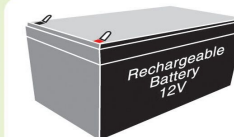
Open Left Wing / Stop Both Wings



EASY MANUAL OVERRIDE



Locking system easily disengaged during electricity or back-up battery failure.



GM328 comes with 12V DC Backup Battery

FUNCTION

DFT
AUTOGATE OPERATOR

DFT
AUTOGATE OPERATOR

DFT
AUTOGATE OPERATOR

DFT
AUTOGATE OPERATOR

DFT
AUTOGATE OPERATOR

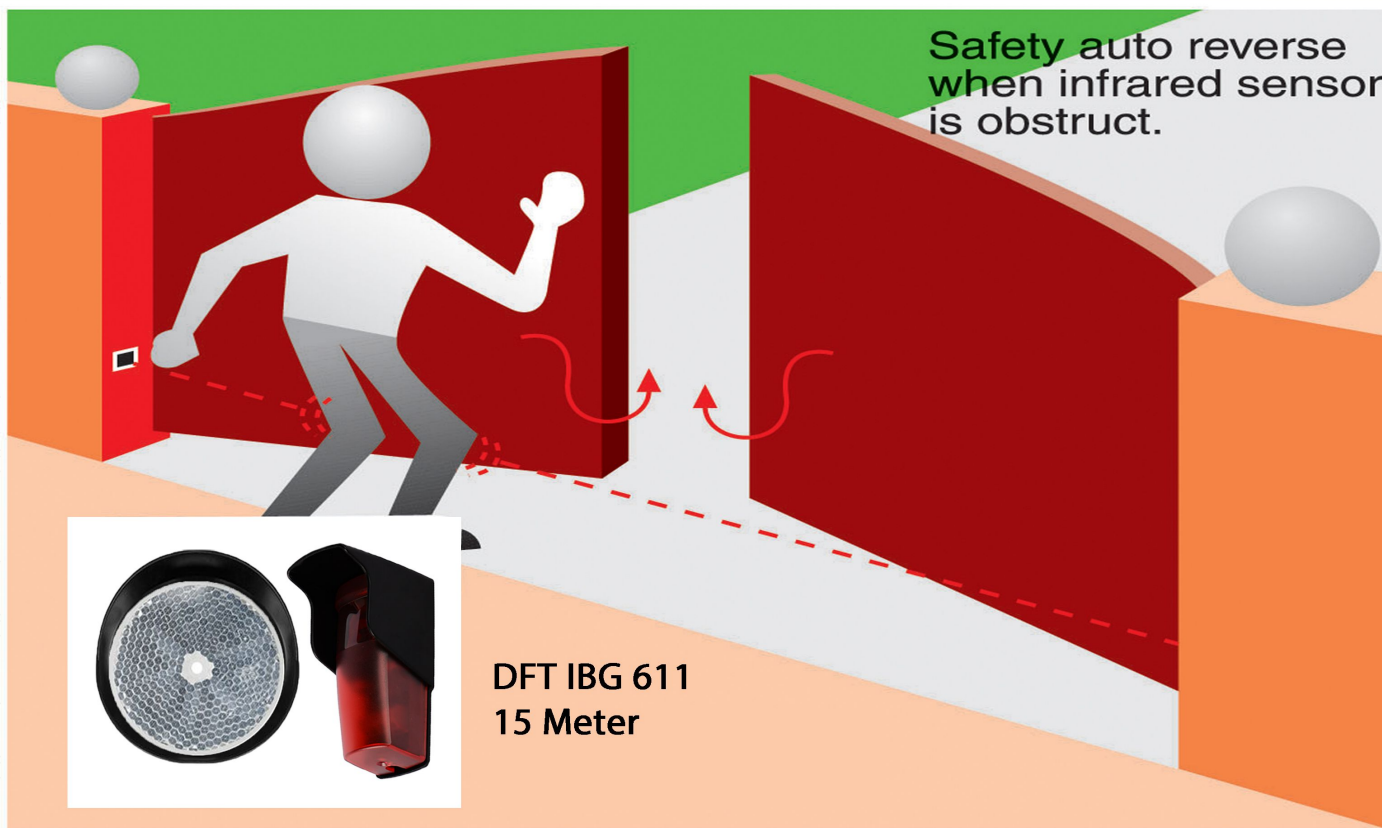
DFT
AUTOGATE OPERATOR

DFT
AUTOGATE OPERATOR

DFT
AUTOGATE OPERATOR

DFT
AUTOGATE OPERATOR

DFT
AUTOGATE OPERATOR



DFT IBG 611
15 Meter

DFT
AUTOGATE OPERATOR

DFT
AUTOGATE OPERATOR

DFT
AUTOGATE OPERATOR

DFT
AUTOGATE OPERATOR

DFT
AUTOGATE OPERATOR

DFT
AUTOGATE OPERATOR

DFT
AUTOGATE OPERATOR

DFT
AUTOGATE OPERATOR

DFT
AUTOGATE OPERATOR

DFT
AUTOGATE OPERATOR



**click here to
watch now!**