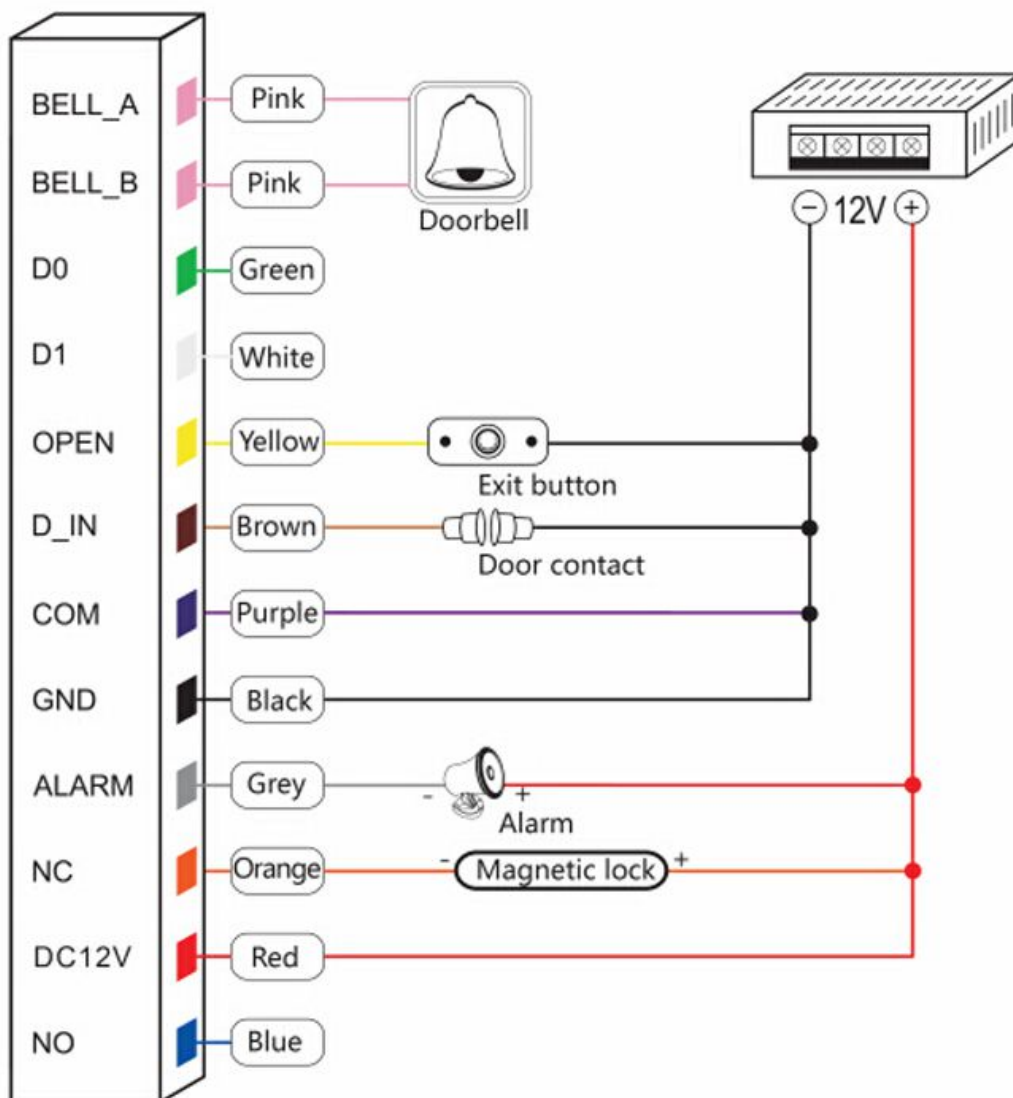
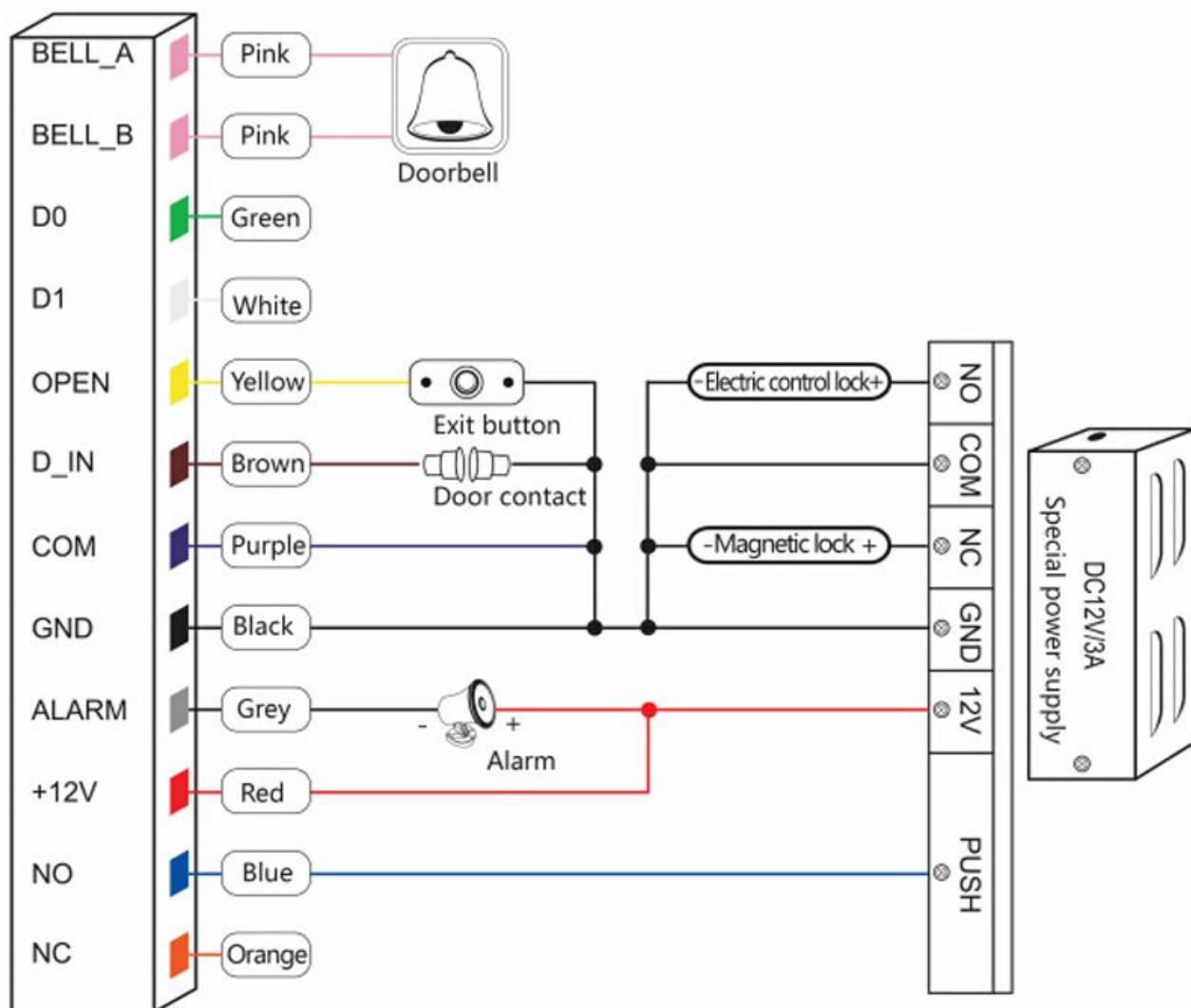


# Common power supply diagram



Note: The doorbell, door contact and alarm function are optional.

## Special power supply diagram



Note: The doorbell, door contact and alarm function are optional.

# Reader mode.

