

Details:

- Can't work alone,need work with access control panel
- Wiegand 26/34 output for connect to a controller
- Supports EM 4100 ID or compatible card
- Less than 0.2 second Response Speed
- Less than 0.5 seconds Proximity Time Distance
- Built-in Antenna
- Built-in LED (Double Color LED)
- Built-in Loud Speaker (Buzzer)
- Real Time Data Transfer



Package:

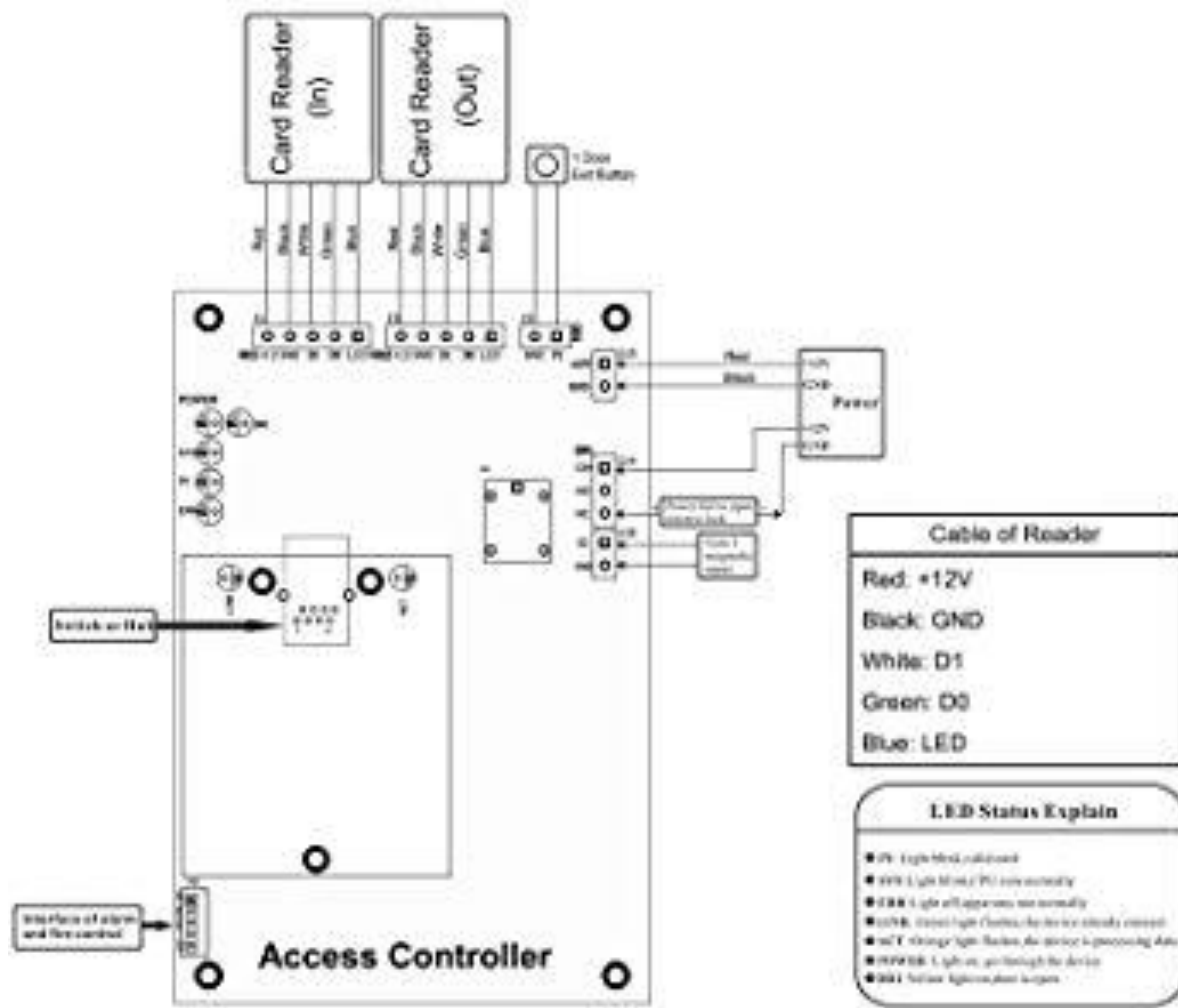
- 1 x RFID Card Reader
- Tip: As the RFID reader controlled by access control board, please refer to the manual of access control board for operate it.

Specifications:

- Frequency: 125Khz
- Card Type: Stand EM-ID card (Can't support HID, Cobra, APCiK, Paradox,etc)
- Response Speed: Less than 0.2 second
- Proximity Time Distance: Less than 0.5 seconds
- Reading range: 2~15cm / 0.79~5.91"
- Dimension: 100mmx46mmx21mm / 3.94"x1.81"x0.83"
- Input Voltage: DC12V
- Current: Max. 70mA

Note:

- Please notice that our wiegand reader can't be compatible with some encrypted cards, such as HID, Indala,Cobra, APCiK ,Paradox,Radio,Honeywell,etc
- Can't work alone,need work with access control panel. (Please search ASIN: B00UX02JWE to get the access control panel)



Access Controller Wiring Diagram (TCP/IP Communication)

Note: The RFID reader can't work alone, need work with the access controller.