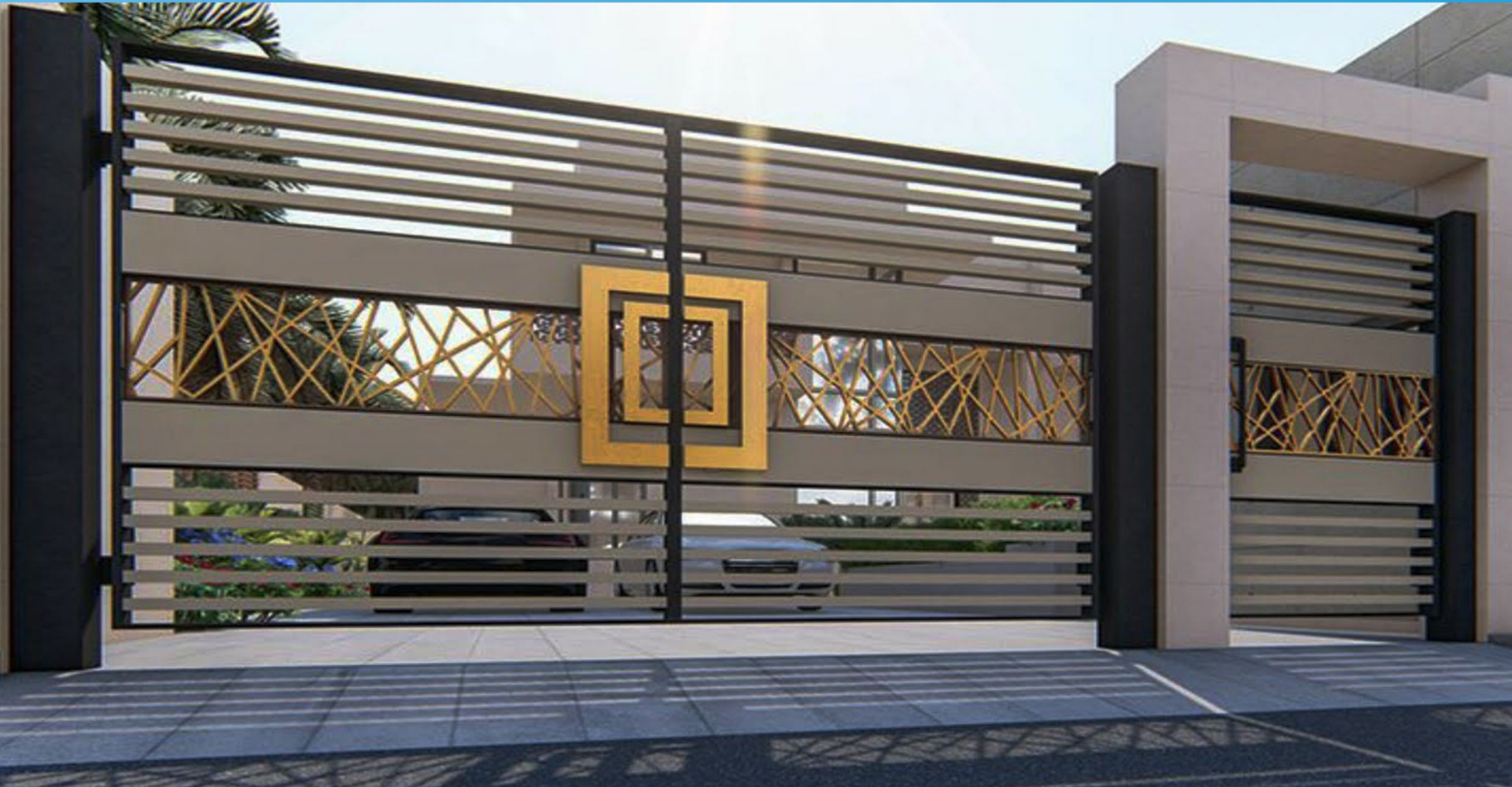


Your reliable option
for quality gate automation



Heavy Duty Epoxy Powder Coating Arm Gate



model: **X5**



simple release system
with personalised key



Swing Gate



Folding Gate

DFT SERIES

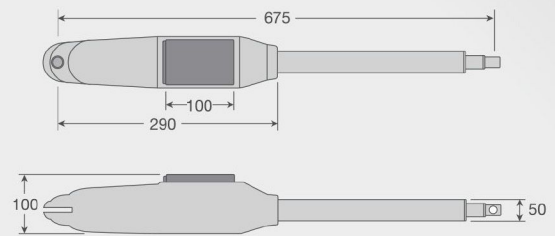
DFT
AUTOGATE OPERATOR

Technical Characteristics

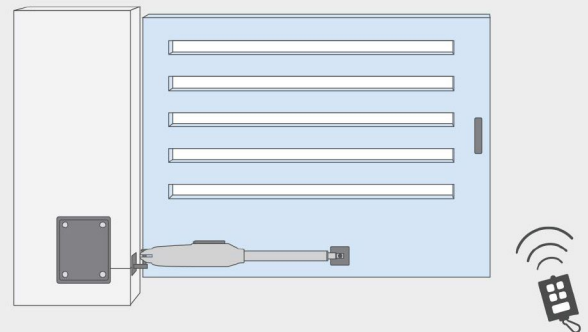
Code	DFT X5
Power supply	230 VAC
Motor voltage	24 VDC
Current input	0.5 A
Leaf max dimension	5 M
Working temperature	-20°C / +50°C
Max weight of gate	500kg
Backup Battery	12 DC 7AH
Travel Time (sec)	8-12 sec
Weight	11kg
Max opening angel	110°
Dual speed	Yes

* Specification is subject to change without prior notice

Product Dimensions



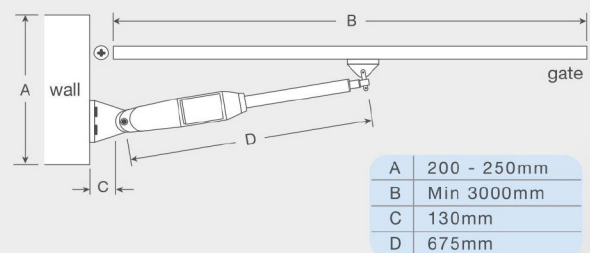
Installation Outlook



Control Panel and Accessories



Overall Installation Guide



ISO 9001
BUREAU VERITAS
Certification



Manufactured by ISO:9001:2008
Certified Company



BUATAN MALAYSIA
MADE IN MALAYSIA

For enquiries please contact