

4K

Dual Lens PTZ Wi-Fi Camera

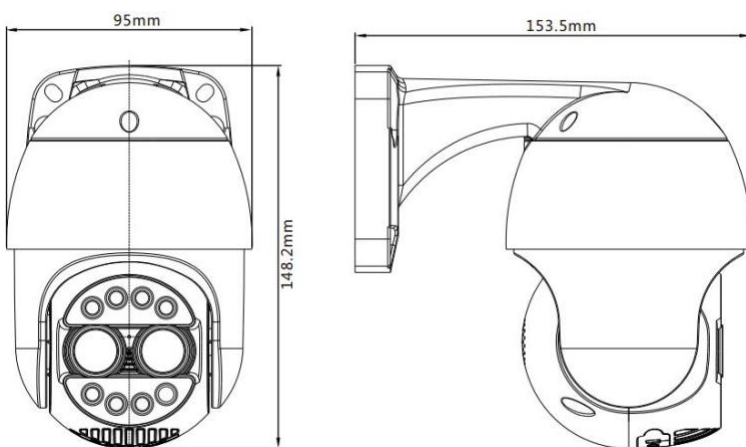
SD-MN2380A-X4D2-W

Introduction

SD-MN2380A-X4D2-W is an 1.5-inch outdoor waterproof Dual Lens Wi-Fi PTZ camera developed by our company, 4K HD picture quality, with dual-lens design, supporting 8x hybrid zoom. Suitable for scenic spots, parks, warehouses, parking lots, neighborhoods, supermarkets and other monitoring scenarios.



Dimension



Main Features

- 8x Zoom
- Dual Screen Preview
- Human Detection
- Human Tracking
- PTZ
- Point and See
- Dual Light Alert
- H.265 Encoding
- Mobile Phone Remote
- TF Card Storage
- Cloud Storage
- IP66

Product Parameters

Model SD-MN2380A-X4D2-W

Camera

Image Sensor	2*4MP 1/3" Low illumination Sensor
Min. Illumination	Color:0.01Lux @(F1.2,AGC ON); 0 Lux with IR B/W:0.001 Lux @ (F1.2,AGC ON),0 Lux with IR
Shutter Speed	1/50(1/60)s to 1/10,000s
Lens	3.6mm@ F2.0+12mm@F1.8
Lens interface	M12
Day & Night	IR-cut filter with auto-switching

Compression

Video Compression	H.265AI
Output Bit Rate	0.1Mbps~8Mbps
Audio Compression	G.711a

Wi-

Wi-Fi Standard	IEEE802.11b, 802.11g, 802.11n
Frequency Range	2.4 GHz ~ 2.4835 GHz

Featured Functions

4K HD picture quality ; 8x hybrid zoom; Picture-in-picture near and far; Near and far dual-screen linkage preview; Where to look; SD card video playback zoomed; Humanoid detection; humanoid zoom tracking; Dual light alert; Day and night full color; IP66 waterproof; Mobile phone remote; cloud storage;

Image

Max. Resolution	4k
Frame Rate	12fps

Interface

Wired Network	RJ45 × 1 (10M / 100M Adaptive Ethernet Port)
Storage Interface	Support TF Card (max. 128G)
Audio Input	Built-in High Sensitivity Microphone
Audio Output	Built-in Speaker
Button	Reset Button

General

Operating Temperature	-10℃~60℃
Operating Humidity	Humidity less than 90% (non-condensing)
Power Supply	DC12V±10%
Power Consumption	5W MAX
Bare Weight	About 385g
Dimensions	About 154mm*95mm*148mm