

NVR2200C Series



1.1 Order Info

ZN-NVR2204C-JN, ZN-NVR2208C-JN, ZN-NVR2216C-JN
ZN-NVR2204C-AM, ZN-NVR2208C-AM, ZN-NVR2216C-AM

1.2 Application Scene

ZN-NVR2200C series can be connected to HD network camera, and is suitable for general security video surveillance in shops, enterprises, homes, education, and finance and etc.

1.3 Product Feature

- Low power consumption, desktop design
- Support access to network camera that comply with ONVIF,RTSP standards and many mainstream vendors
- Support VGA, HDMI synchronous output, HDMI output resolution can be up to 4K, VGA output resolution can be up to 1920*1080
- Support H.265 video decoding, support access H.265 and H.264 IPC
- Support one-click to add a network camera
- Support up to 8MP camera live, recording and playback

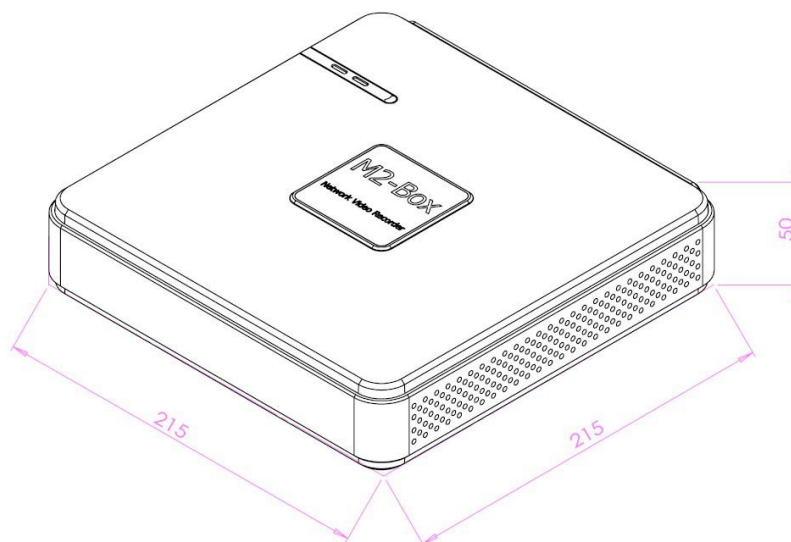
- Support access bandwidth up to 80Mbps, support up to 16 channels living and recording
- Support up to 16 channels synchronous playback, decoding capability up to 4 channels 1080P@30fps
- Support 1 SATA, the capacity of HDD is unlimited
- Support HDD S.M.A.R.T technology, and support HDD had track skipping, greatly reduces data lose due to HDD failure
- Support upload snapshot and video backup to third-party cloud service, like Dropbox, Google Drive
- Built-in VSS cloud and P2P transfer service, achieve access by website, mobile application(VSS Mobile), PC client, support alarm push
- Support UPNP, SMTP, SSL email alarm

1.4 Specification Table

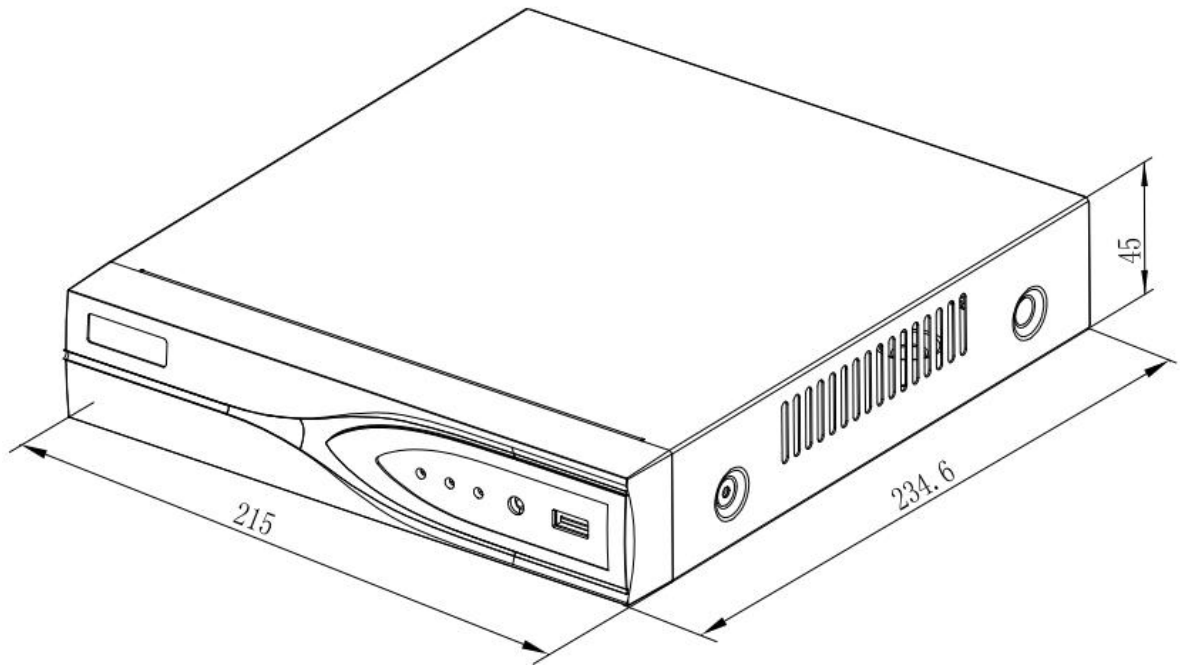
NVR2200C					
Model		ZN-NVR2204C-JN	ZN-NVR2208C-JN	ZN-NVR2216C-JN	
System		Embedded Linux			
Audio/Video Input	Input Bandwidth	40Mbps(up to 4ch 4K@8M)	80Mbps(up to 8ch 4K@8M)	80Mbps(up to 16ch 4K@4M)	
	Output Bandwidth	80Mbps	80Mbps	80Mbps	
	IPC Input	4 ch	8 ch	16 ch	
	Audio Input	1ch, RCA interface(Line in, 2Vpp, 300ohms), voice intercom			
Audio/Video Output	VGA	1ch, 1920×1080, 1280×1024, 1280×720, 1024×768			
	HDMI	1.4b			
		3840×2160, 1920×1080, 1280×1024, 1280×720, 1024×768			
Audio Output	1ch, RCA interface(Line out, 2Vpp, 300ohms)				
Audio/Video Encoding	Audio Compression	G. 711A			
	Audio Bit Rate	8Kbps(16bit)			
Audio/Video decoding	IP Channel Resolution	Main-Stream: up to 3840×2160 Sub-Stream: up to D1			
	Video Compression	H. 265 (Main Profile@Level5.0) / H. 264(High Profile@Level5.1)			
	Audio Compression	G. 711A, G711U, G726			
	Multi-channel Playback	Up to 4ch	Up to 8ch	Up to 16ch	
	Max. Decode Capability	4ch 1080P@30FPS/1ch 4K@30FPS			

Other	Two-way Voice Talk	Two-way voice intercom function		
	Motion Detection	Each Channel Support 396 (22×18) Detection Area; Support Multi-level Sensitivity		
	Snapshot	Support JPEG Snapshot		
HDD	SATA	1		
	Max. Capacity	Unlimited		
External Interface	Network Interface	1 RJ45;10M/100M Suitable Ethernet Port		
	USB Interface	2 个 USB2.0		
Structure	Packing	410x293*60mm		
	Front Panel	JN		
	Dimensions	215x235x45mm		
	Weight	0.9Kg (Not Include HDD)		
	Installation	Desktop Installation		
Electrical Performance	Power Supply	DC 12V 2A	DC 12V 2A	DC 12V 2A
	Working Temperature	-10℃--+55℃		
	Working Humidity	10%--90%		
	Consumption	7W (Not Include HDD)	7W (Not Include HDD)	7W (Not Include HDD)

1.5 Dimensions



ZN-NVR2204C-AM, ZN-NVR2208C-AM, ZN-NVR2216C-AM



ZN-NVR2204C-JN, ZN-NVR2208C-JN, ZN-NVR2216C-JN

1.6 Product Interface Diagram

