

# F6-Fingerprint

## Access Control/Reader

### SET MASTER FINGERPRINT(S)/CARD(S)

Programming Step	Keystroke Combination
1. Enter Program Mode	<b>* (123456)</b>
2. Add Master Fingerprint  <b>OR</b> 2. Add Master Card	<b>* 1 (Fingerprint) ( Repeat Fingerprint)</b> The Master Fingerprints can be added continuously <b>* 1 (Read Card)</b> The Master Cards can be added continuously (Up to 5 Masters)
3. Exit	<b>#</b>
<b>Note: After Master Fingerprint/Card registered, the default master PIN 123456 will become invalid</b>	

### ADD USER FINGERPRINT(S)

Programming Step	Keystroke Combination
1. Enter Program Mode	<b>Input (Master Fingerprint / Card)</b>
2. Add Fingerprint: Using Auto ID (Allows F6 to assign Fingerprint to next available User ID number) <b>OR</b> 2. Add Fingerprint: Select Specific ID (Allows Master to define a specific User ID to associate the fingerprint to)	<b>(Fingerprint) ( Repeat Fingerprint)</b> Repeat Step 2 for additional user Fingerprints  <b>(User ID) # (Fingerprint) ( Repeat Fingerprint)</b> The user ID of Fingerprint is any number from 1-500
3. Exit	<b>Input (Master Fingerprint / Card)</b>

### ADD USER CARD(S)

Programming Step	Keystroke Combination
1. Enter Program Mode	<b>Input (Master Fingerprint / Card)</b>
2. Add Card: Using Auto ID (Allows F6 to assign card to next available User ID number) <b>OR</b> 2. Add Card: Select Specific ID (Allows Master to define a specific User ID to associate the card to)	<b>(Read Card)</b> Repeat Step 2 for additional user cards  <b>(User ID) # (Read Card)</b> The user ID of Card is any number from 1001-1500
3. Exit	<b>Input (Master Fingerprint / Card)</b>

### ADD USER PIN(S)

Programming Step	Keystroke Combination
1. Enter Program Mode	<b>Input (Master Fingerprint / Card)</b>
2. Add PIN: Select Specific ID (Allows Master to define a specific User ID to associate the PIN to)	<b>(User ID) # (PIN ) #</b> The user ID of PIN is any number from 501-1000 PIN is any 4~6 digits.
3. Exit	<b>Input (Master Fingerprint / Card)</b>

## DELETE USER FINGERPRINT(S) OR CARD(S) OR PIN(S)

### Method 1:

Programming Step	Keystroke Combination
1. Enter Program Mode	<b>Input (Master Fingerprint / Card)</b>
2. Delete User – By User ID <b>OR</b> 2. Delete User – By Fingerprint/Card <b>OR</b> 2. Delete ALL User	<b>* 2 (User ID) #</b>  <b>* 2 (Input Fingerprint / Card)</b>  <b>* 2 (0000) #</b>
3. Exit	<b>Input (Master Fingerprint / Card)</b>

### Reset F6 to Factory Default

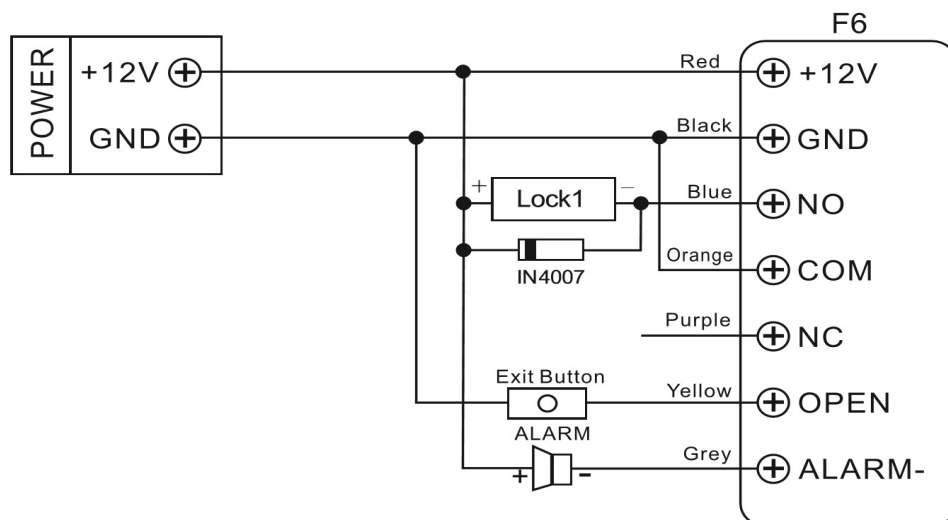
Programming Step	Keystroke Combination
1. Enter Program Mode	<b>Input (Master Fingerprint / Card)</b>
2. Reset to Factory Default	<b>* 9 0</b> (All fingerprint/card information will still be retained)
3. Exit	<b>After one beep, it will exit automatically</b>

### DELETE ALL USERS and MASTERS (Be careful with this step)

Programming Step	Keystroke Combination
1. Enter Program Mode	<b>Input (Master Fingerprint / Card)</b>
2. Delete All Users and Masters	<b>* 9 1</b>
3. Exit	<b>After one beep, it will exit automatically</b>

### DELETE MASTERS (Master Fingerprint / Card)

Programming Step	Keystroke Combination
1. Enter Program Mode	<b>Input (Master Fingerprint / Card)</b>
2. To Delete Master Fingerprint / Card	<b>* 9 2</b>
3. Exit	<b>After one beep, it will exit automatically</b>



<b>How to release the door</b>	
Fingerprint User	Put the Finger on the fingerprint sensor for 1 second
Card User	Read card
PIN User	PIN #